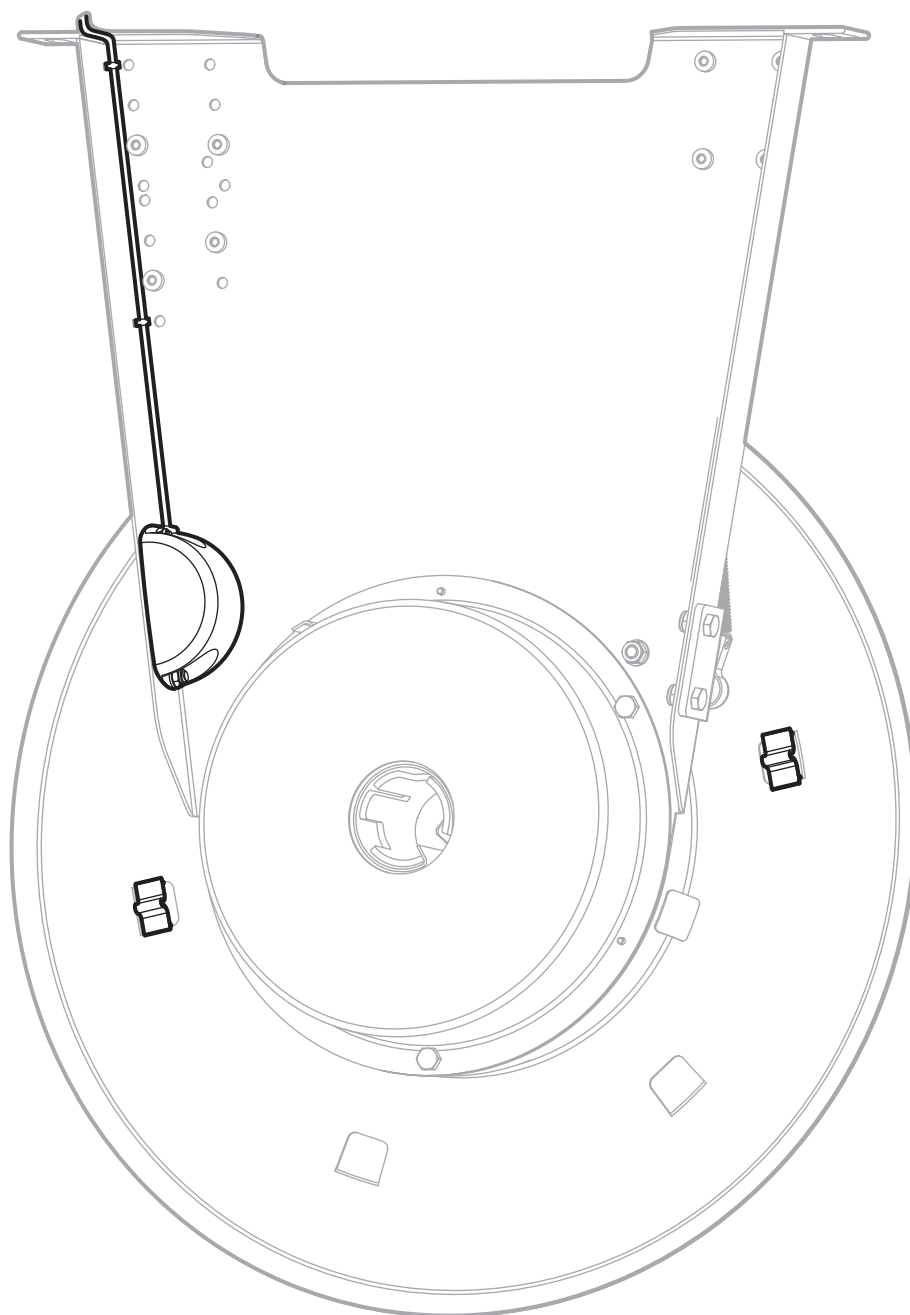
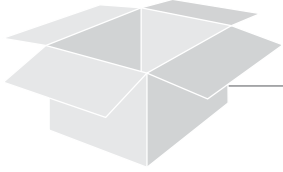
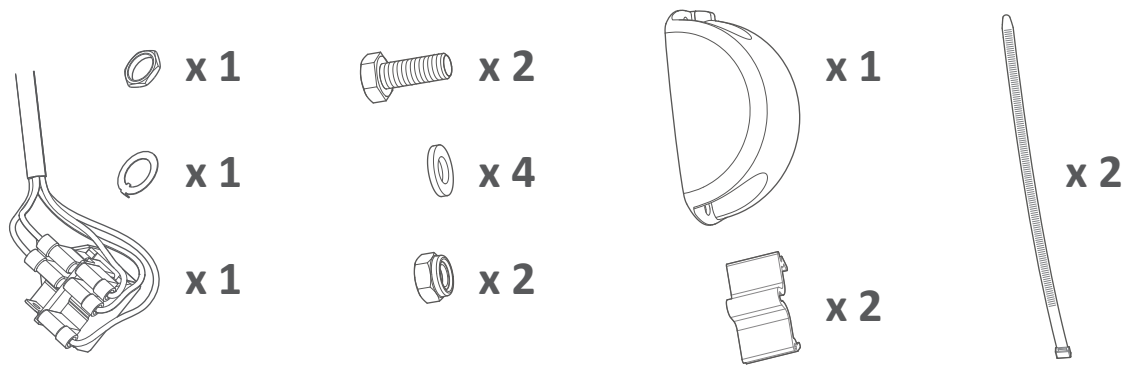


MONTERINGSANVISNING
INSTALLATION
MONTAGEANLEITUNG
INSTRUCTIONS MONTAGE
INSTRUCCIONES DE MONTAJE
ISTRUZIONI DI MONTAGGIO

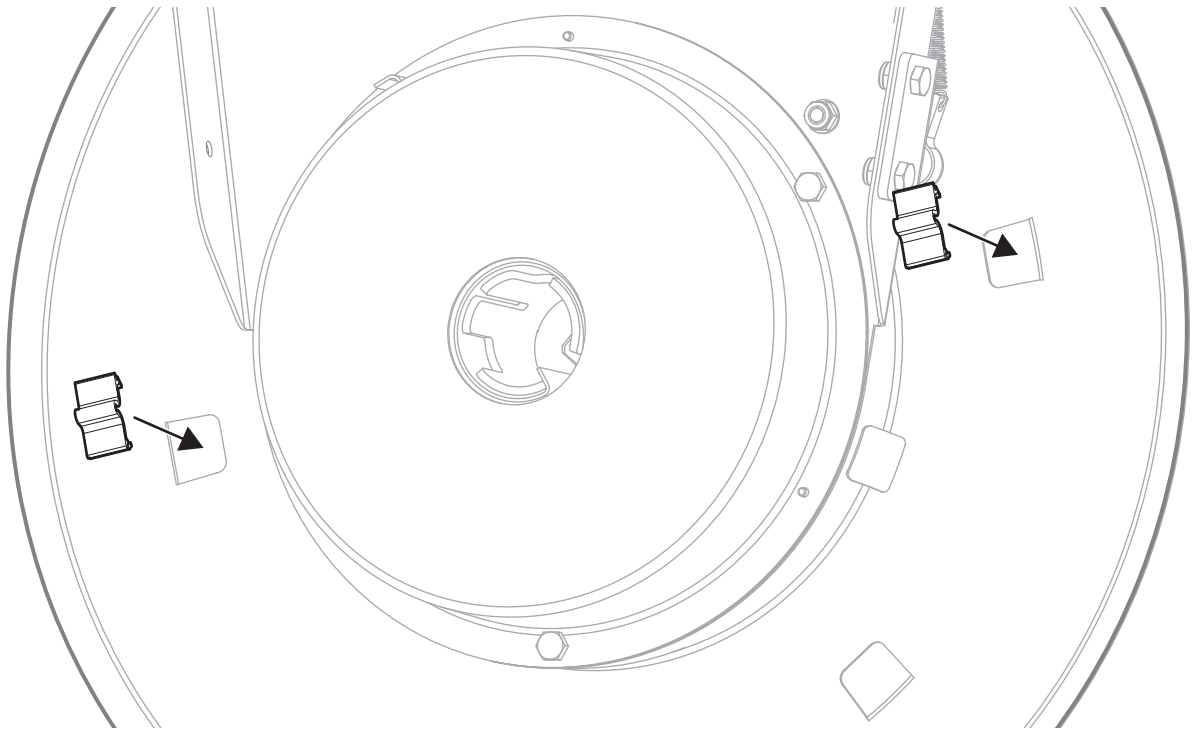
FUMEX[®]

ASE 865

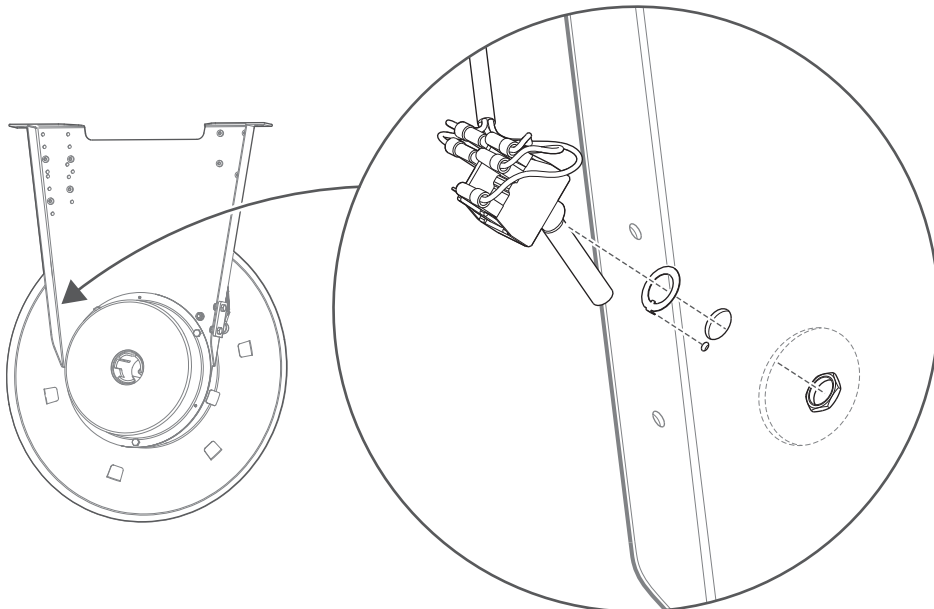




1

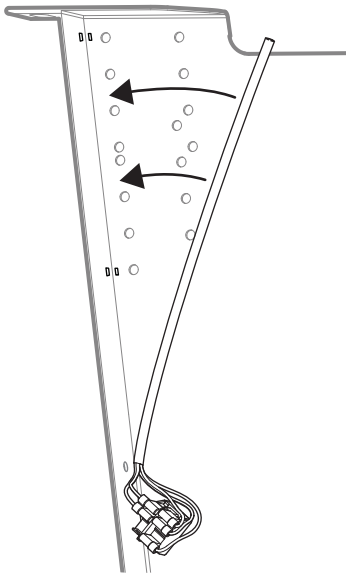


2

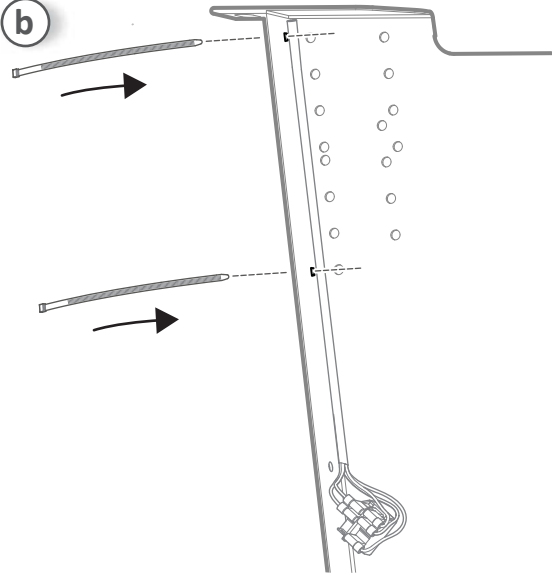


3

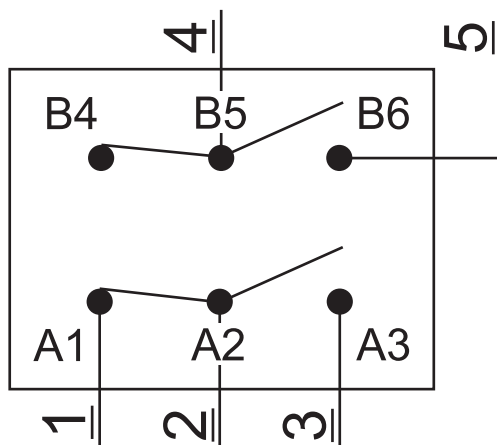
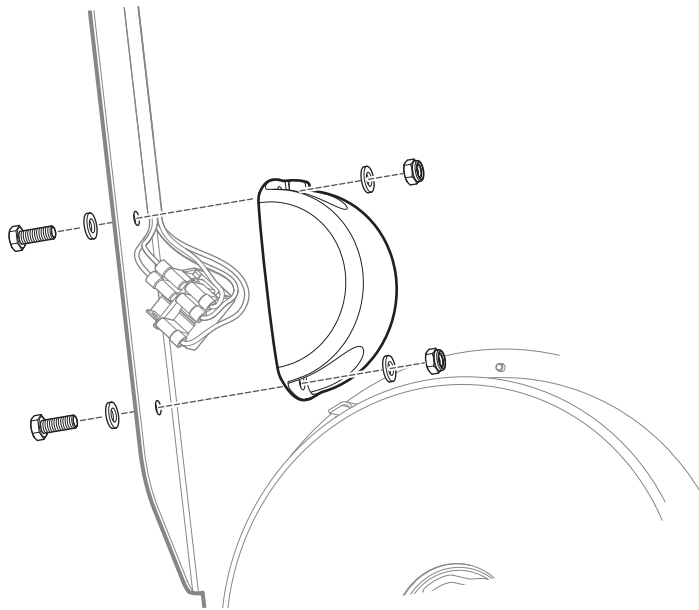
a



b



4



FUMEX[®]

HQ: phone +46 910-361 80 | fax +46 910-130 22 | info@fumex.se | www.fumex.se