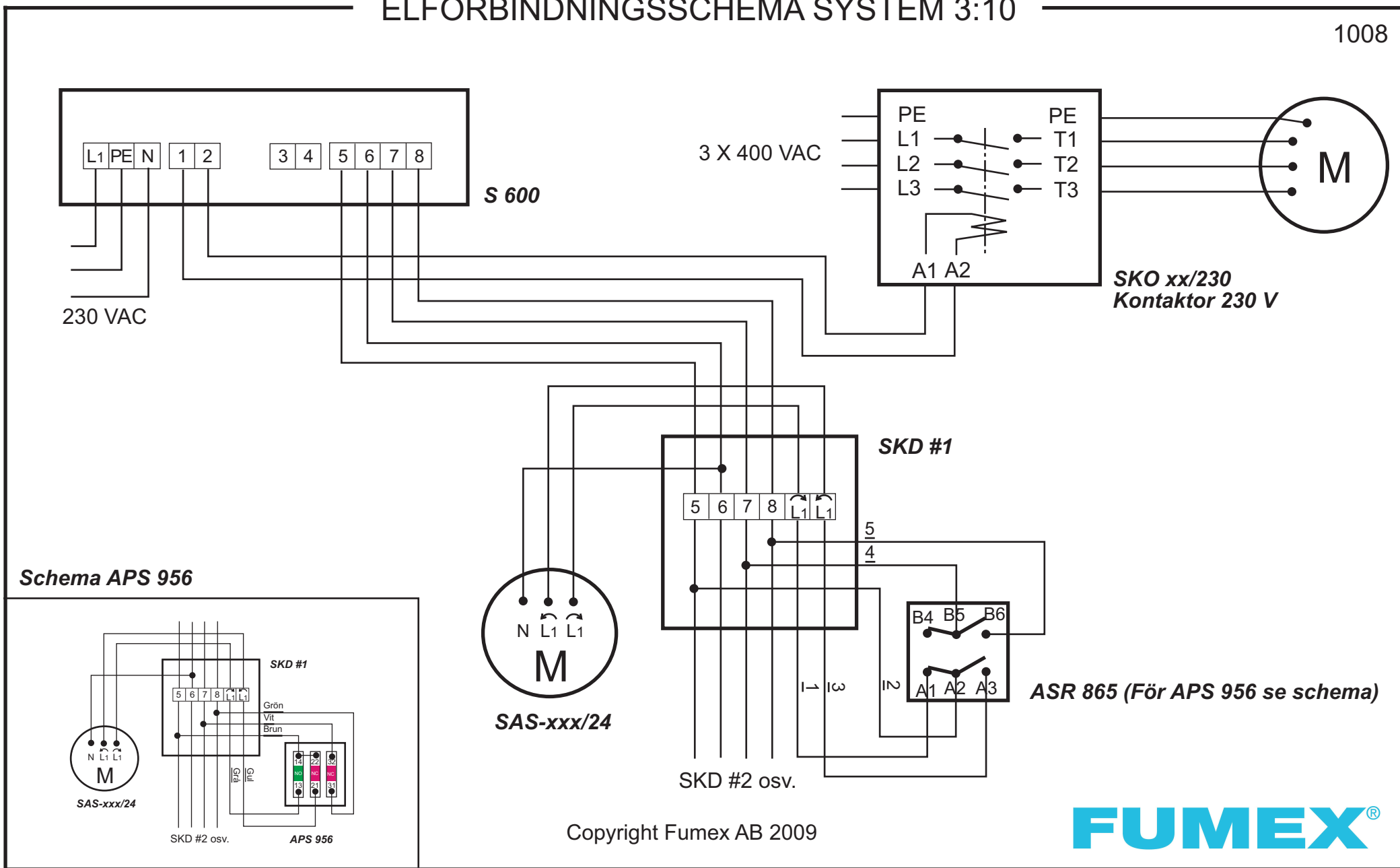


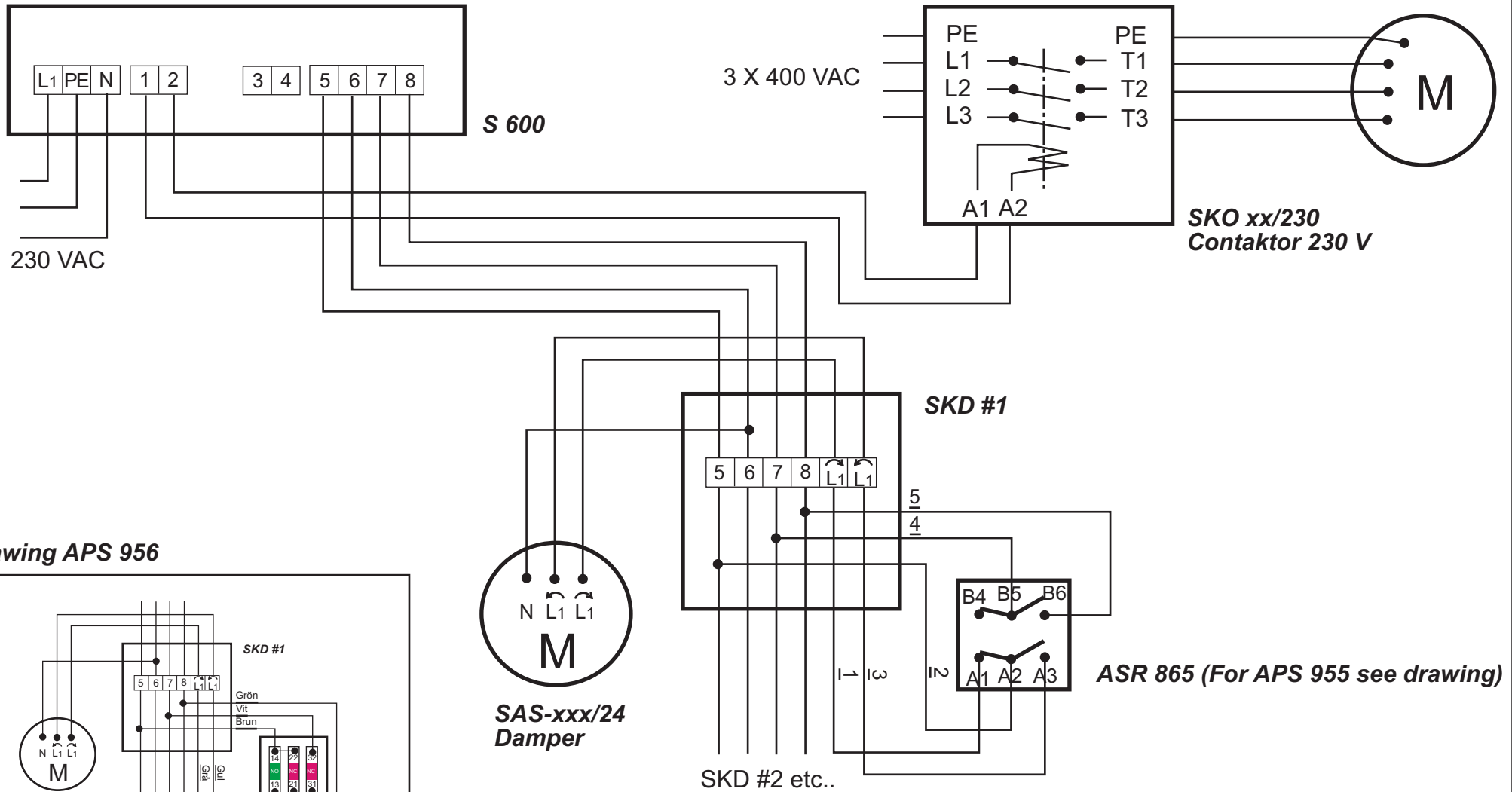
ELFÖRBINDNINGSSCHEMA SYSTEM 3:10

1008

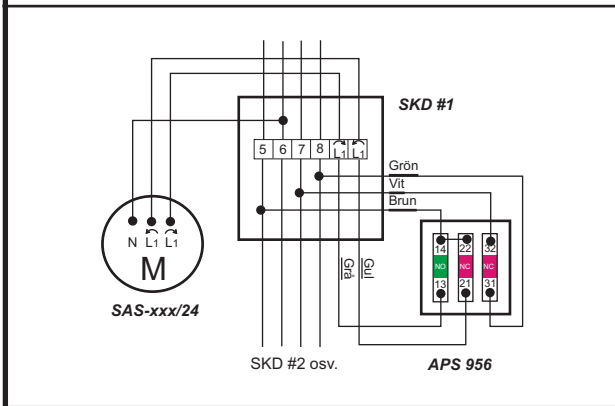


CONNECTION DRAWING SYSTEM 3:10

1008



Drawing APS 956



Copyright Fumex AB 2009

FUMEX[®]