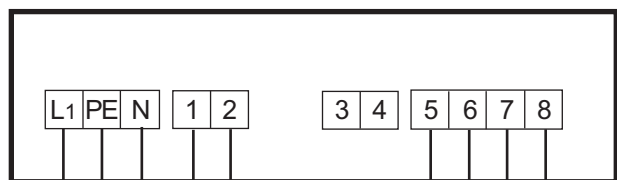


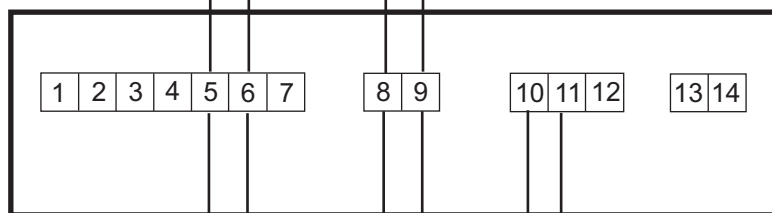
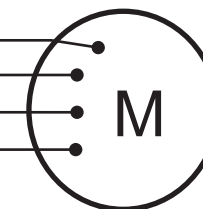
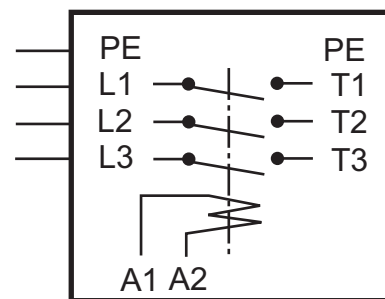
ELFÖRBINDNINGSSCHEMA SYSTEM 2:11

1233

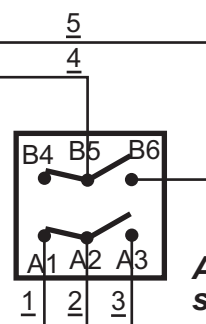


230 VAC

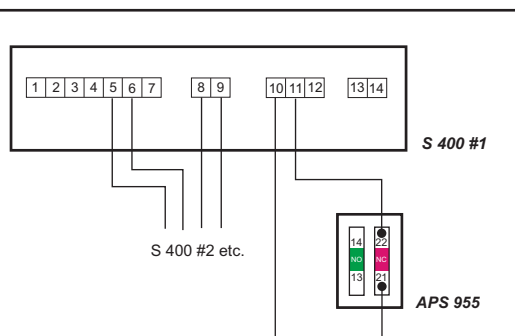
3 X 400 VAC



S 400 #2 osv.



Schema APS 955

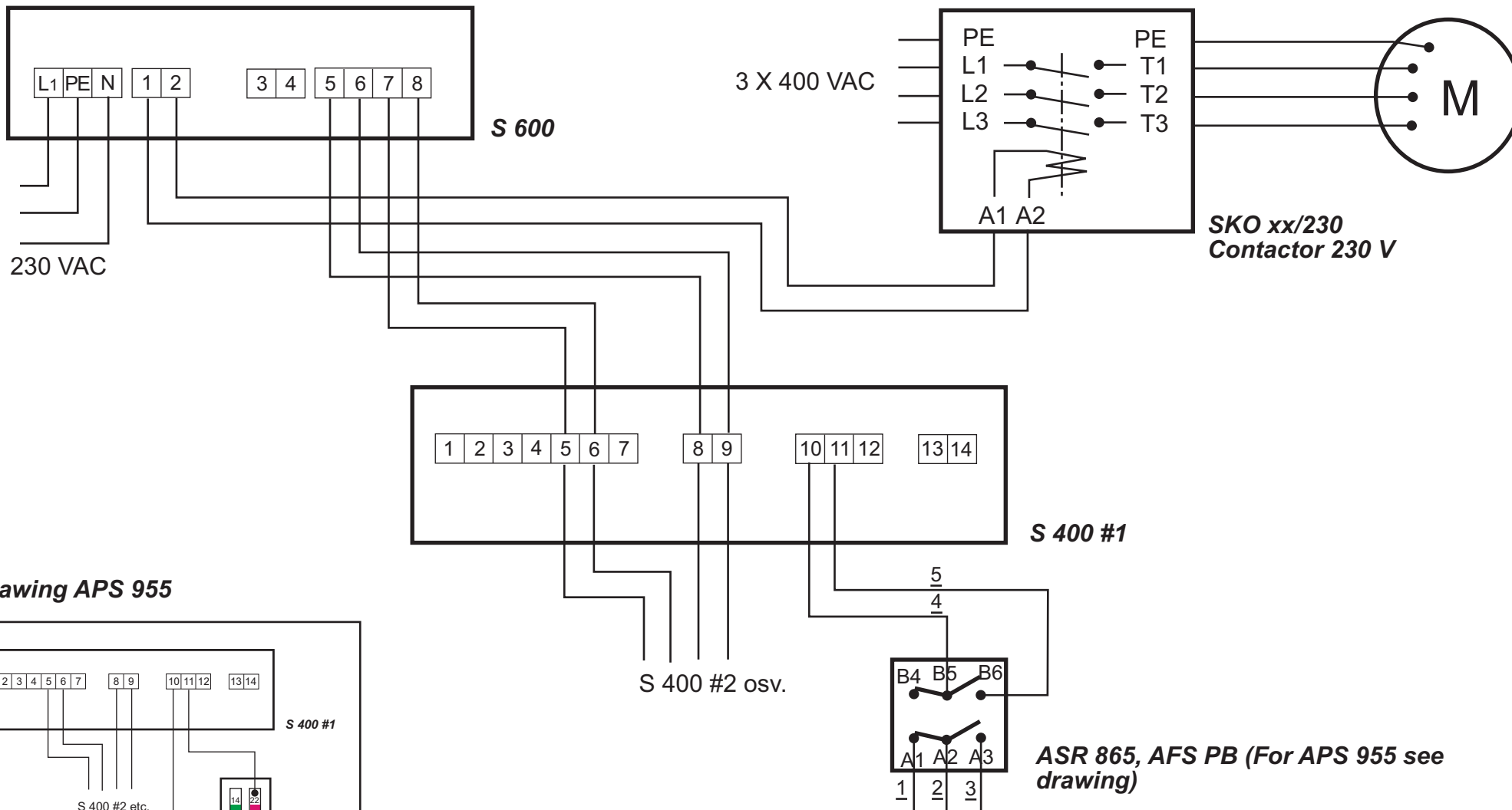


Copyright Fumex AB 2009

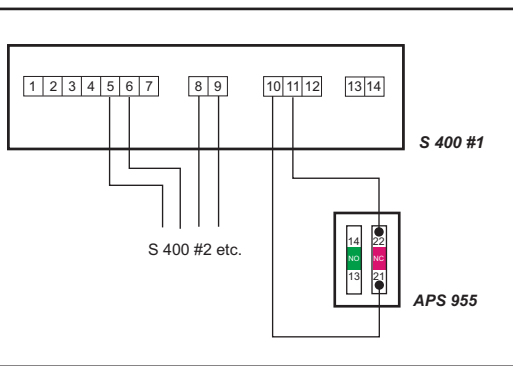
FUMEX[®]

CONNECTION DRAWING SYSTEM 2:11

1233



Drawing APS 955



Copyright Fumex AB 2009

FUMEX®