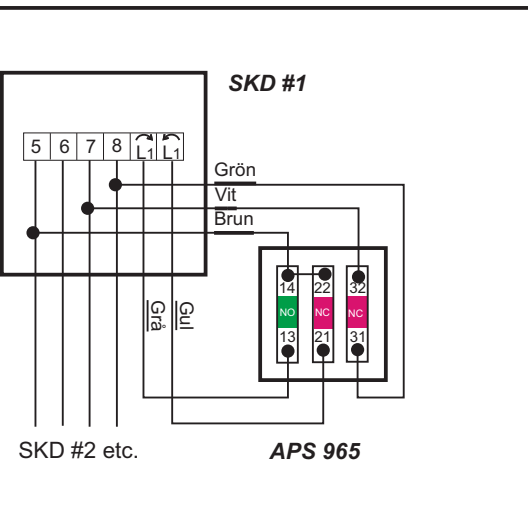
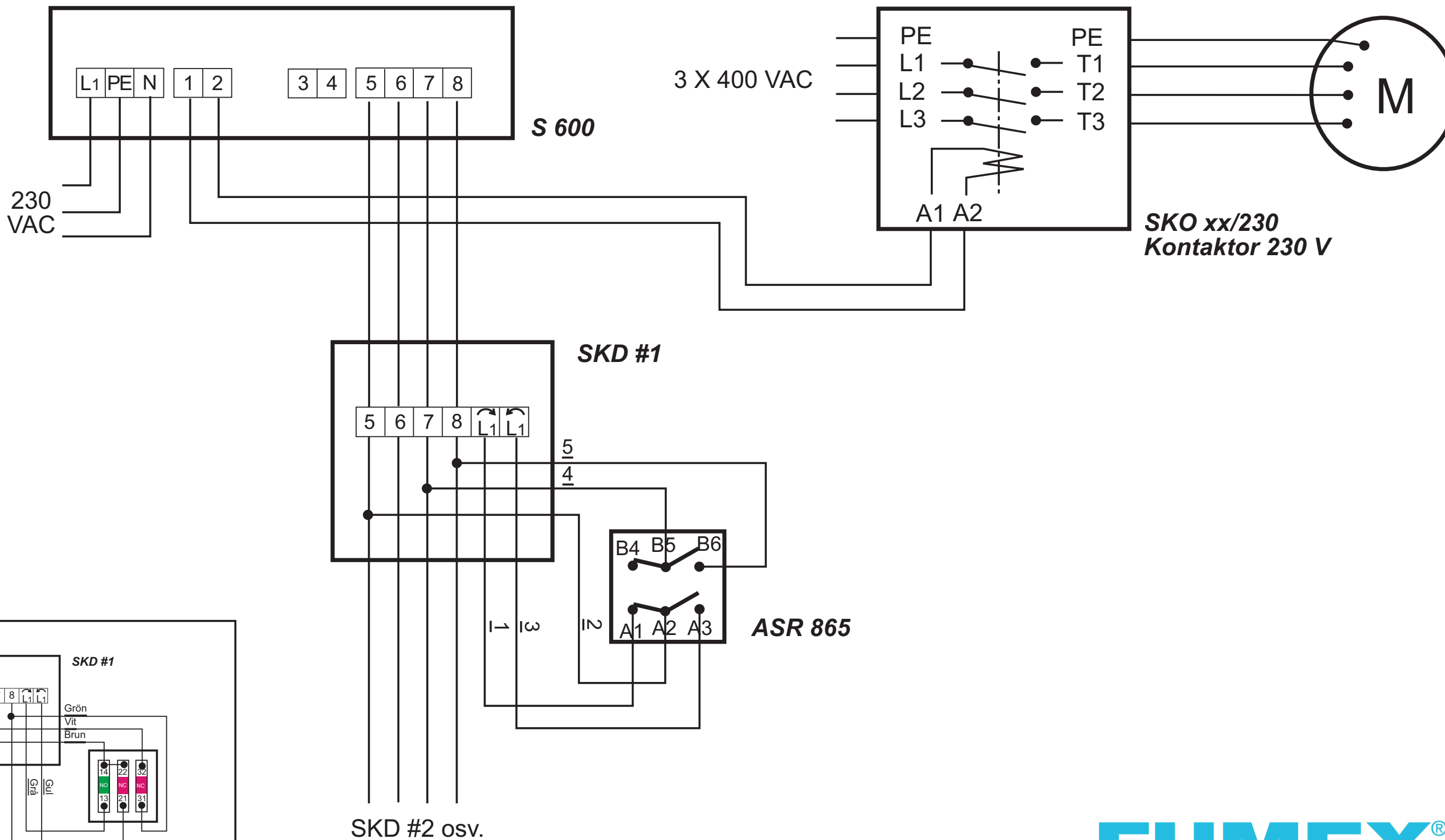


# ELFÖRBINDNINGSSCHEMA SYSTEM 2:10

0942

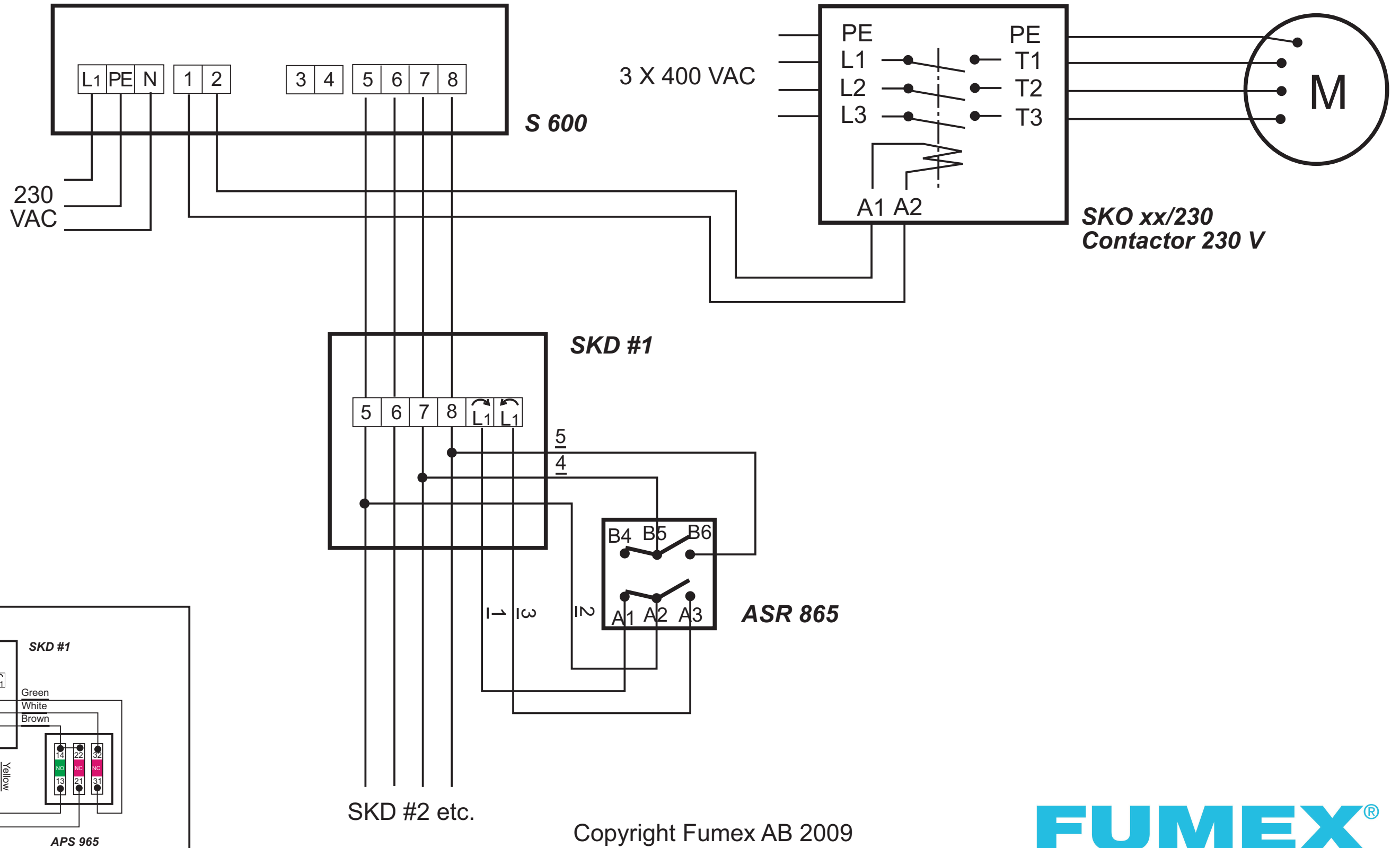


Copyright Fumex AB 2009

**FUMEX**®

# CONNECTION DRAWING SYSTEM 2:10

0942



Copyright Fumex AB 2009

**FUMEX**<sup>®</sup>