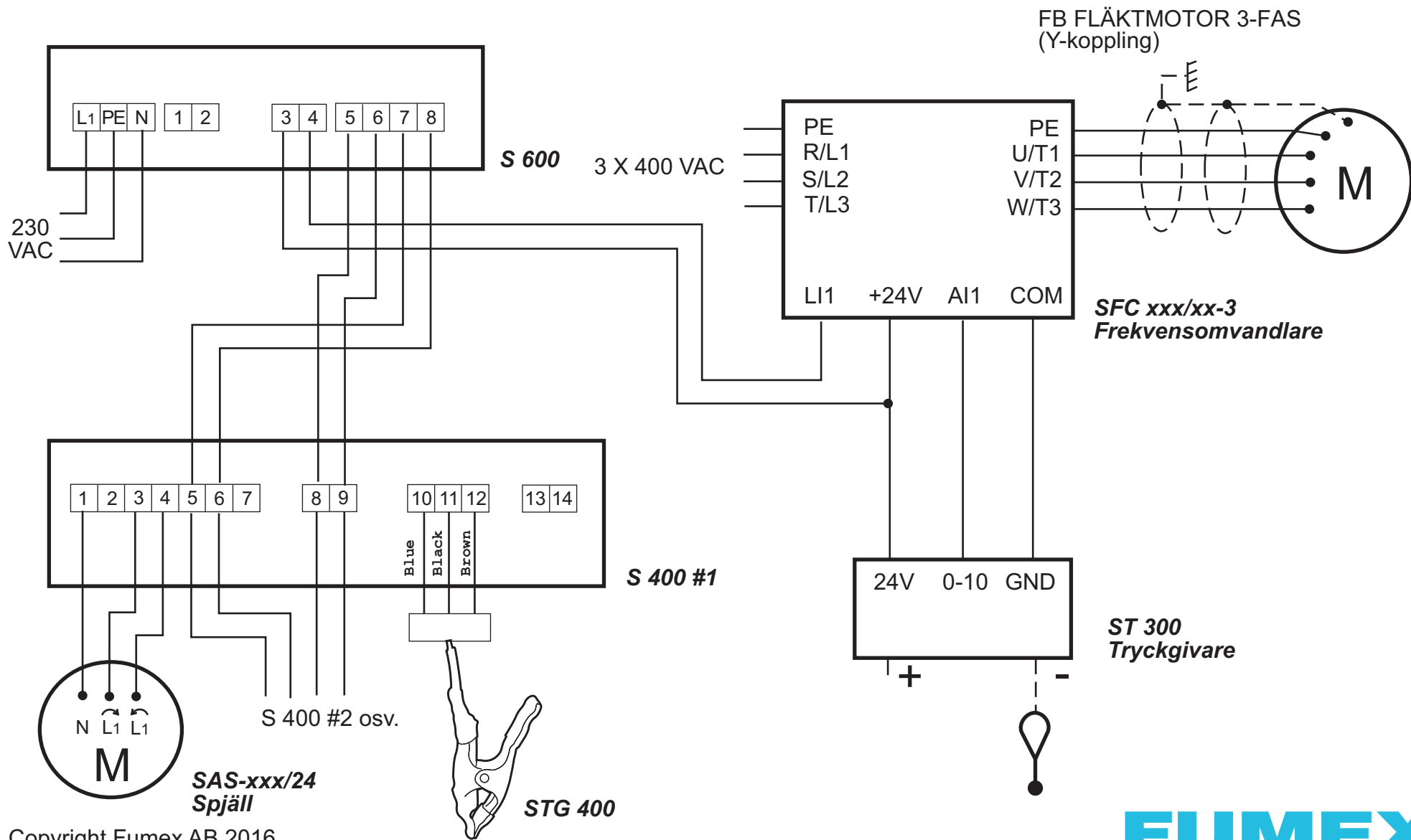


# ELFÖRBINDNINGSSCHEMA SYSTEM 4:3, 3-FAS

1647



# CONNECTION DRAWING SYSTEM 4:3, 3-PHASE

1647

