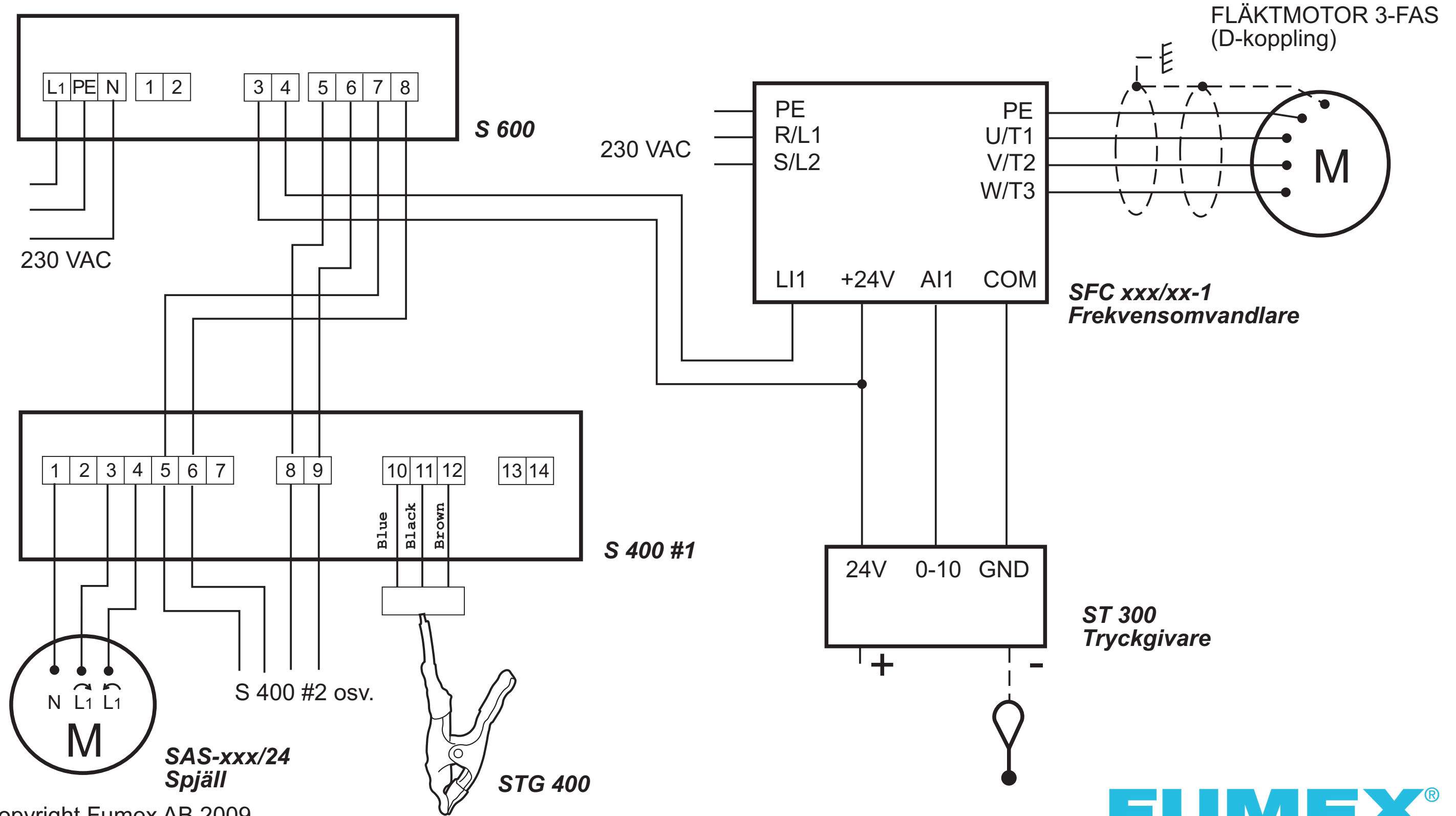


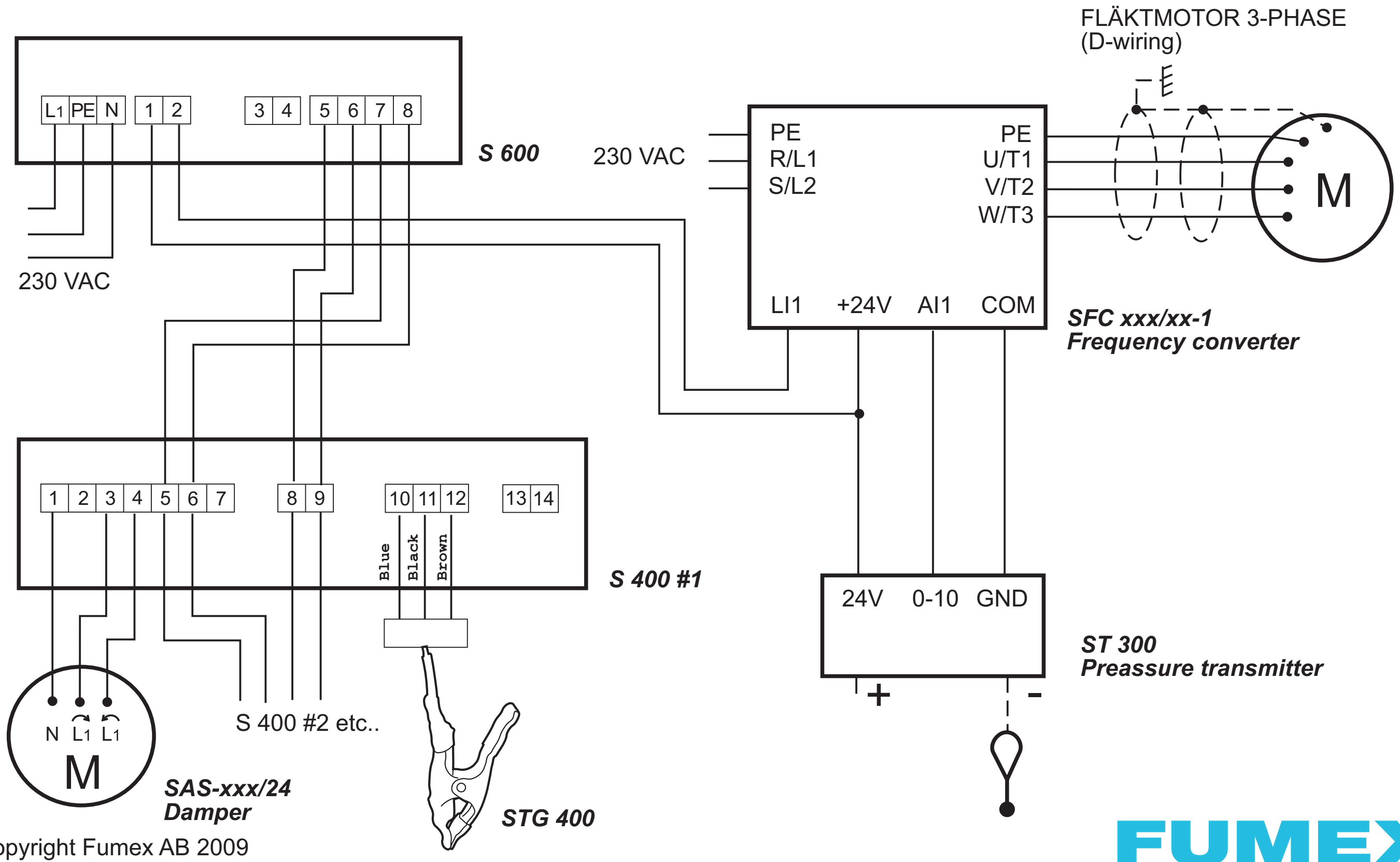
ELFÖRBINDNINGSSCHEMA SYSTEM 4:3, 1-FAS

0943



CONNECTION DRAWING SYSTEM 4:3, 1-PHASE

0943



Copyright Fumex AB 2009

