

FUMEX PR EXD



***Local extractor for explosive environments.
Safe equipment when handling explosive gases and dust.***

New technology in combination with new materials and a focus on design gives Fumex PR EXD many new and important advantages:

- Stable grounded structure with EX coating.
- Unique ease of manoeuvrability.
- High positional stability.
- Hood designed for maximum capture efficiency and extraction.
- Flexible PU hose, fully grounded.
- Non EX coated metal parts in stainless steel.

PR EXD's design is based on FUMEX's basic principles:

- External arm support.
- Hose dimensions according to requirement: 100, 125, 160 or 200 mm.
- Supplied partially assembled for ease of installation.

FUMEX PR EXD is manufactured in accordance with the Atex directive 2014/34/EU category 2 for gases and dust.

PR EXD is delivered standard with a wall bracket and is available in the lengths 1.5, 2, 3, 4, 5 & 7m.



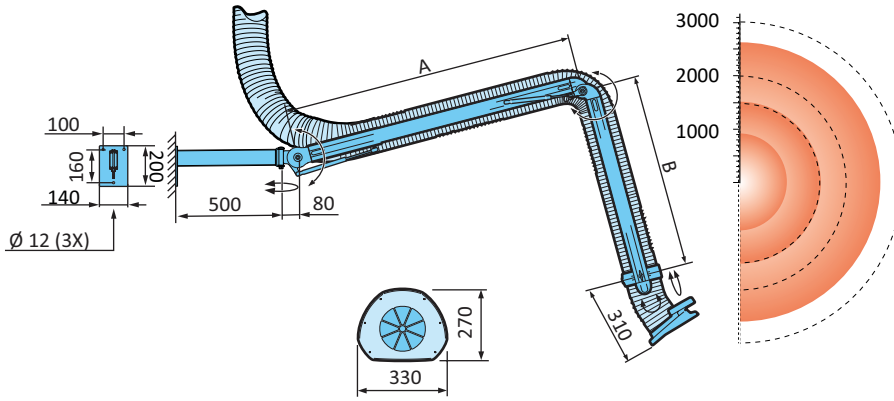
The Fumex range also includes fans, accessories, automatic control gear and filters for local extraction

**LOCAL EXTRACTORS
Pure advantage**

FUMEX PR EXD

All models in \varnothing 100, 125, 160 & 200 mm

PR 1500EXD, 2000EXD & 3000EXD



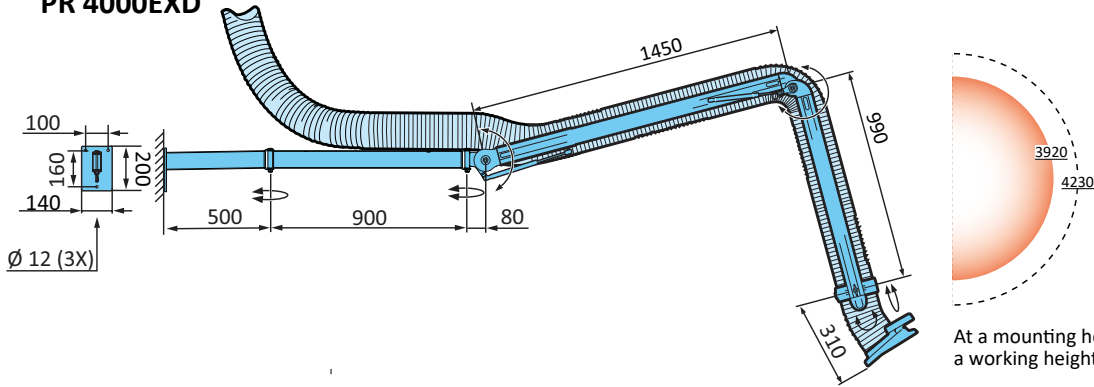
	A	B	Work. Radius*	Max radiie
	(mm)	(mm)	(mm)	(mm)
PR 1500EXD	420	490	1210*	1800
PR 2000EXD	950	490	1740**	2330
PR 3000EXD	1450	990	2990**	3330

Working radius
Max. radius

*At a mounting height of 1.8 m and a working height of 750 mm.

**At a mounting height of 2.1 m and a working height of 750 mm.

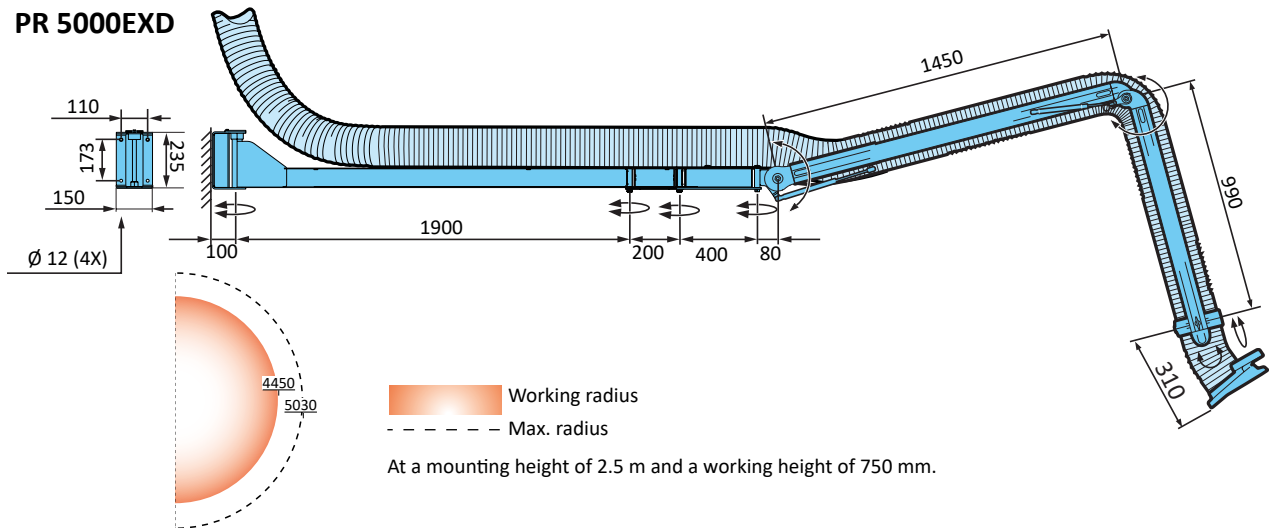
PR 4000EXD



Working radius
Max. radius

At a mounting height of 2.1m and a working height of 750 mm.

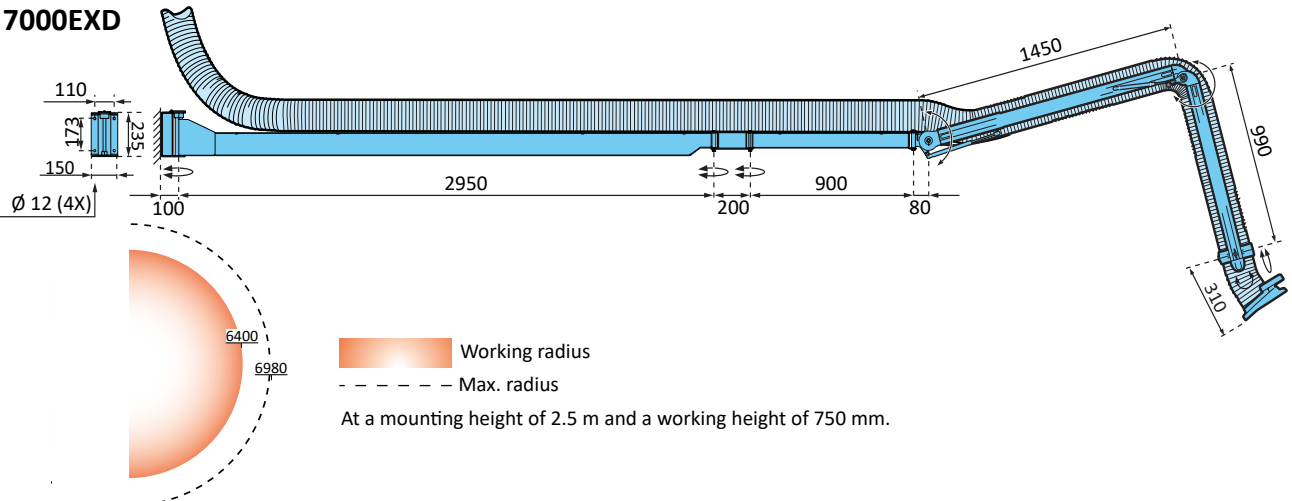
PR 5000EXD



Working radius
Max. radius

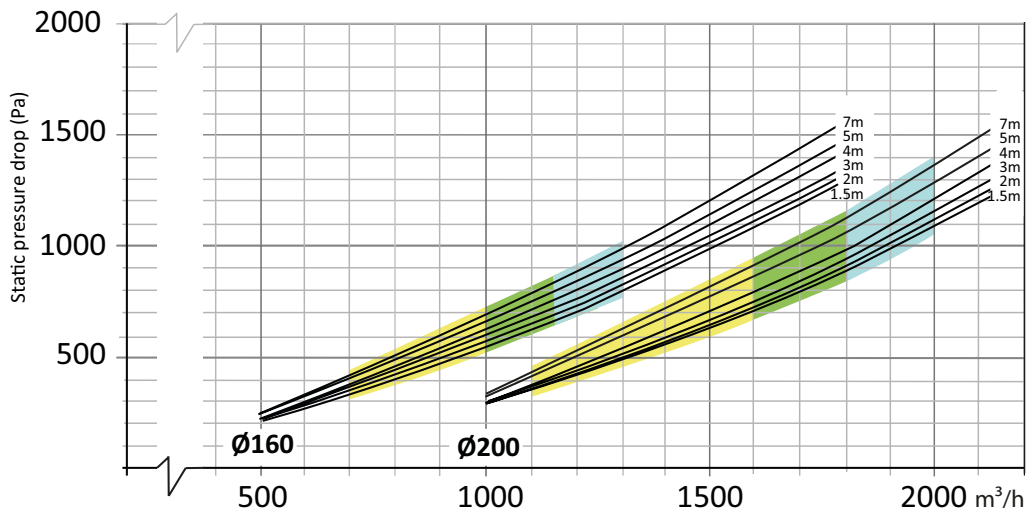
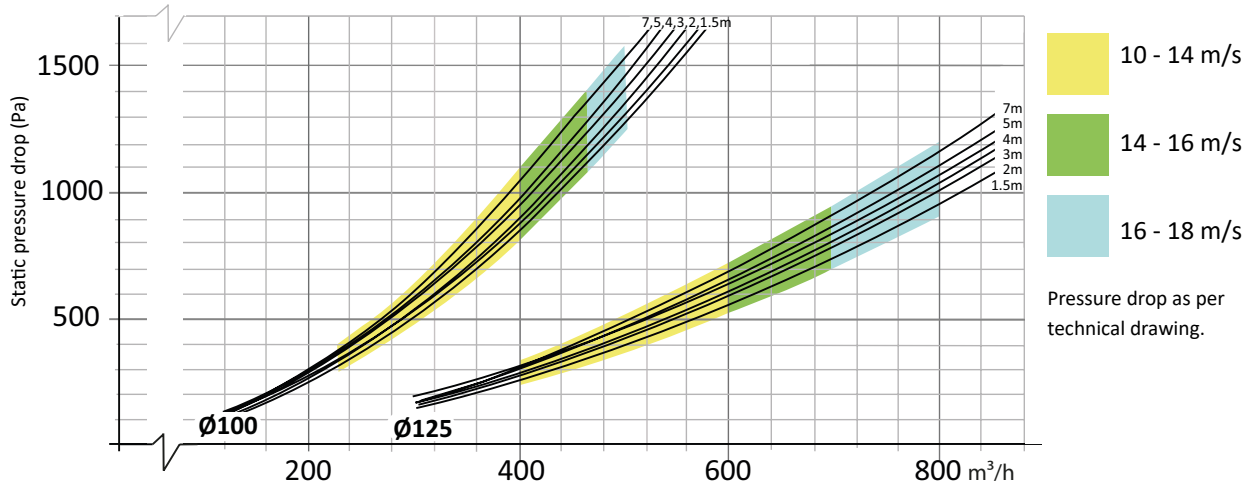
At a mounting height of 2.5 m and a working height of 750 mm.

PR 7000EXD



Working radius
Max. radius

At a mounting height of 2.5 m and a working height of 750 mm.



Facts about ATEX

Zone classification

Potentially explosive areas or premises shall be classified into zones according to how often an explosive atmosphere occurs and how long it lasts. The person in charge of the operation is responsible for the risk area being classified.

Classification must be carried out by persons having knowledge about the properties of the flammable goods, the process and the equipment. Classification can be done in consultation with safety- and electrical engineers and also process technicians.

Zone 0 and zone 20

Areas where an explosive atmosphere is present continuously, for long periods or frequently.

Zone 1 and zone 21

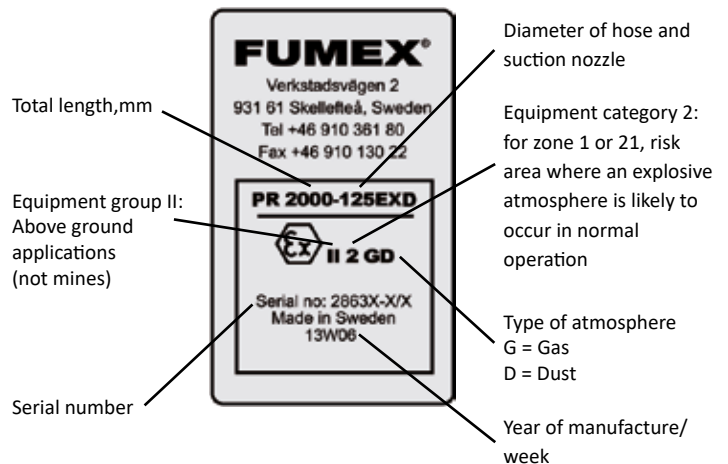
Areas where an explosive atmosphere is likely to occur during normal operation.

Zone 2 and zone 22

Areas where an explosive atmosphere is not likely to occur in normal operation, but, if it does occur, will only be for a short duration.

Marking of ATEX-products

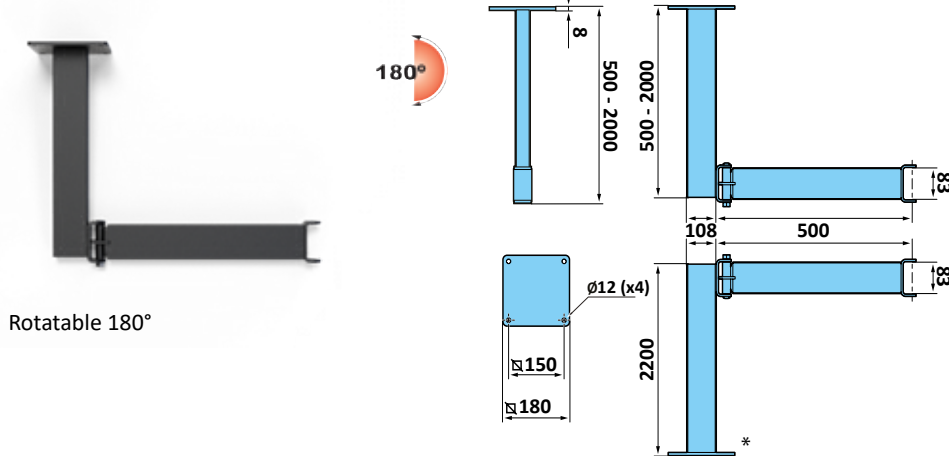
Local extractor from FUMEX is marked according to the plate below.



Accessories

Brackets for ceiling and floor mounting.

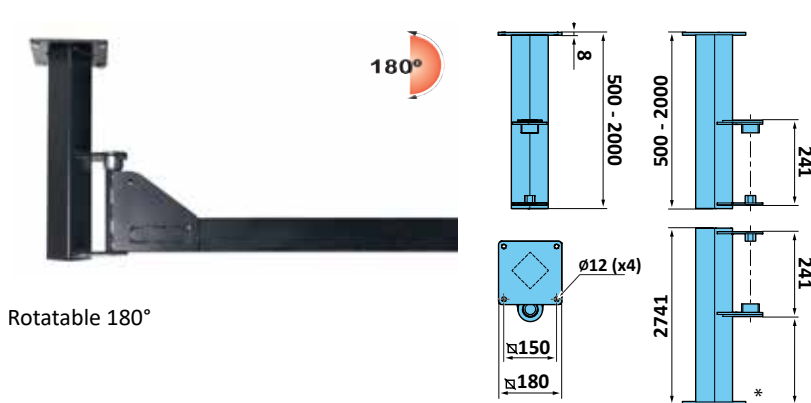
PTX EX (PR 1500EXD-4000EXD)



Rotatable 180°

PTX Article	Length (mm)	Weight (kg)
PTX 500EX	500	5
PTX 1000EX	1000	7,5
PTX 1500EX	1500	10
PTX 2000EX	2000	12,7
PTX 2200EX*	2200	14

PTZ EX (PR5000EXD-7000EXD)



Rotatable 180°

PTZ Article	Length (mm)	Weight (kg)
PTZ 500EX	500	7,6
PTZ 1000EX	1000	12
PTZ 1500EX	1500	16,6
PTZ 2000EX	2000	21,2
PTZ 2500EX*	2500	25,7

*Floor bracket

Technical data hose EXD

Properties Antistatic PU-hose with SS-spiral, R < 1TΩ

Temperature range +10°C till +60° C.

Delivery configuration

The arms are supplied partially assembled and tested, each arm has a unique serialnumber.

Manufacture

Manufactured in accordance with directive 2014/34/EU.

Technical data other standard

Plastic components PA, PE, PP14%GL conductive

Aluminiumdetails Powder coated in conductive paint

Steel details Powder coated in conductive paint

Stainless steel details..... Gas springs in stainless steel.

Weight PR 1500: 10 kg PR 2000: 11 kg
 PR 3000: 13 kg PR 4000: 16 kg
 PR 5000: 25 kg PR 7000: 39 kg

