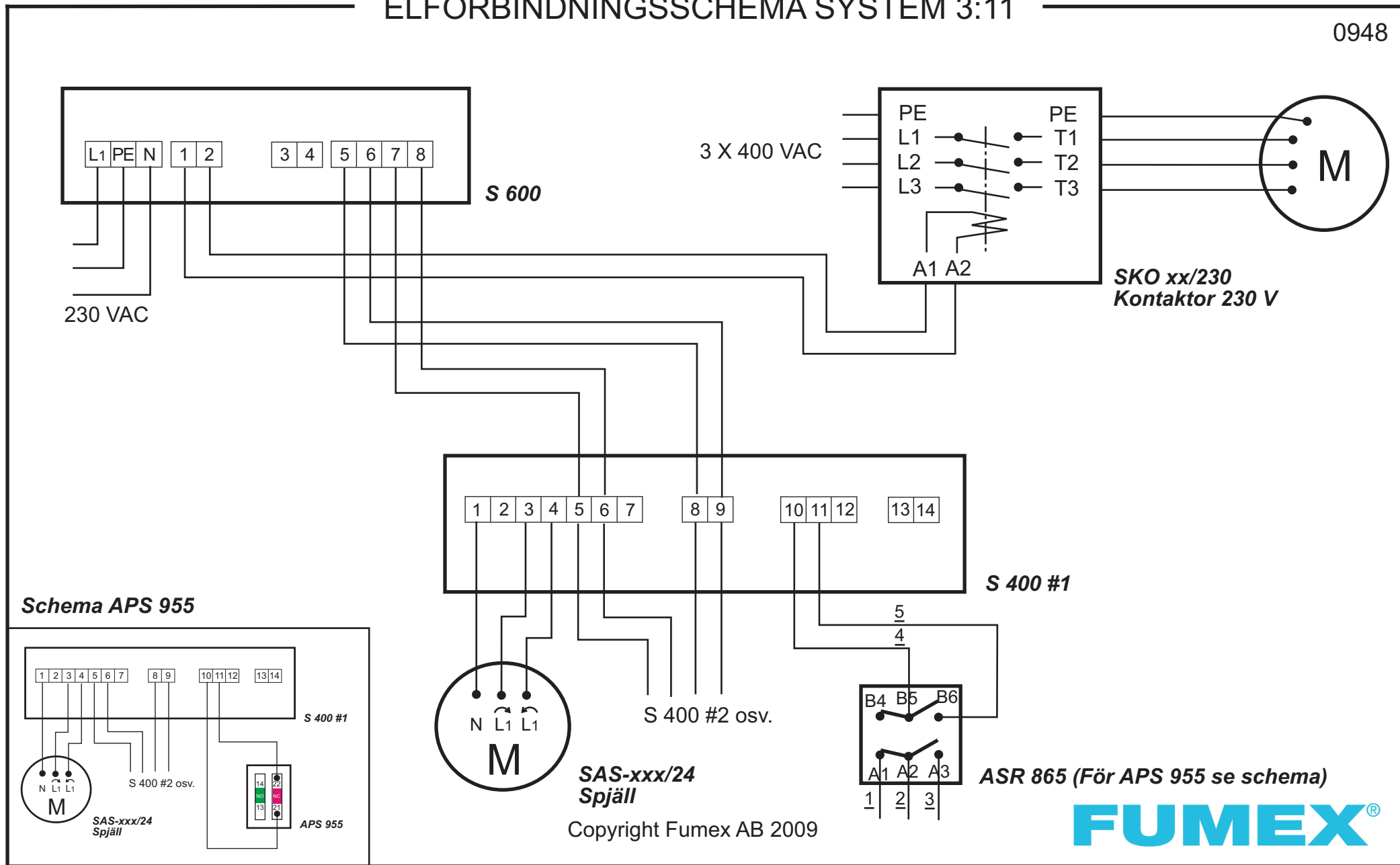
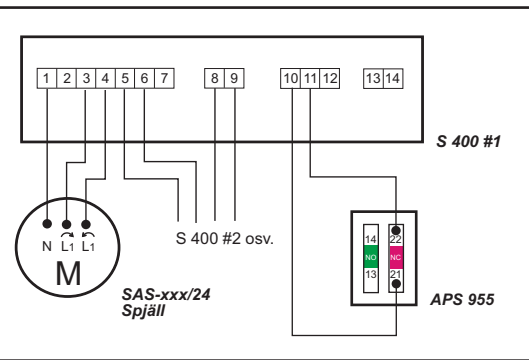


ELFÖRBINDNINGSSCHEMA SYSTEM 3:11

0948



Schema APS 955



SAS-xxx/24
Spjäll

Copyright Fumex AB 2009

FUMEX[®]

CONNECTION DRAWING SYSTEM 3:11

0948

