

General

This manual is a quick aid for easy programming of the frequency converter together with the potentiometer SFC POT and shall not be seen as a complete product manual.

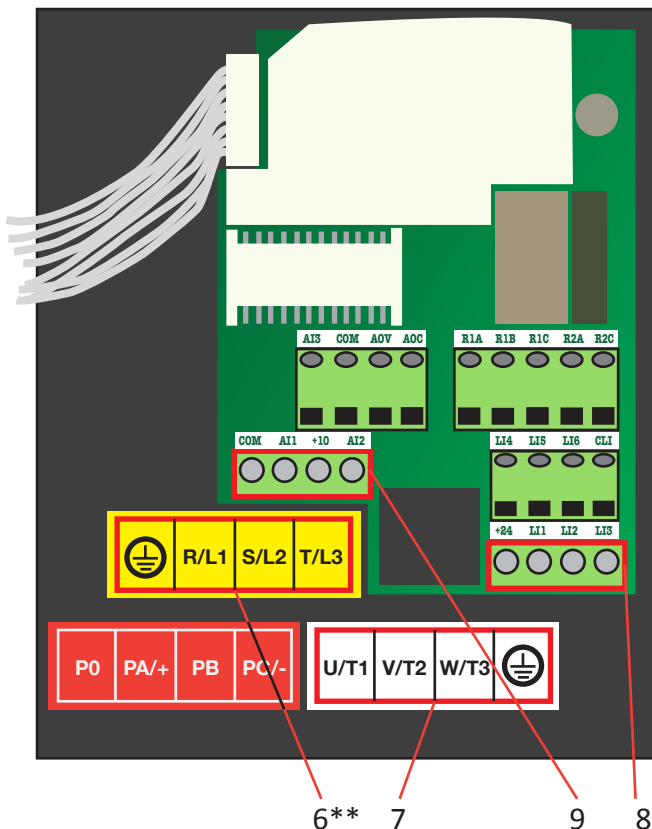
Function

All programming is executed on the keys at the front display (see picture right). MODE key (1) switches between the REMOTE/ LOCAL configurations*. The jog dial (2) is used for navigating the menus and to select or confirm information. The ESC key (3) quits a menu/ parameter or clears and reverts the value. the STOP/RESET key (4) enables detected fault to be reset*. The RUN key (5) controls the start of the motor in LOCAL configuration*.



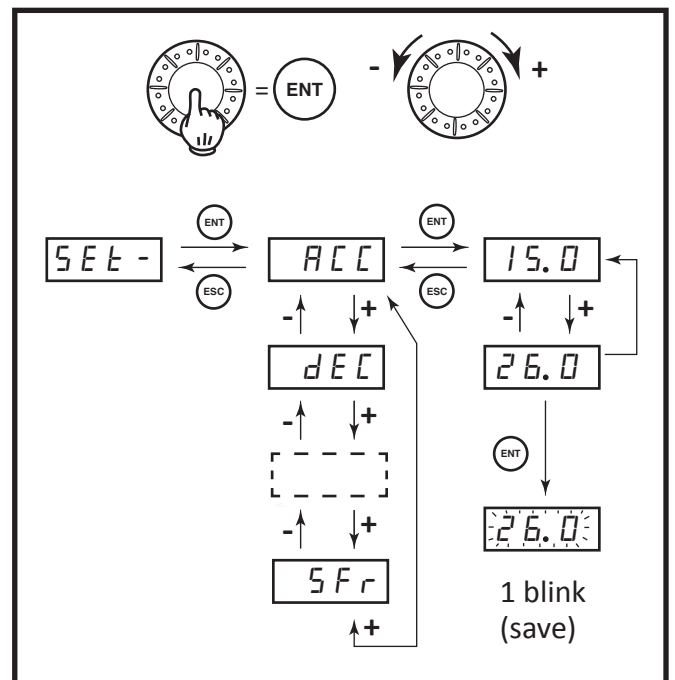
Electrical wiring

The feeding cable is connected to the yellow terminal (6). The feeding cable to the motor is connected to the white terminal (7). The start signal is wired between LI1 and +24 at terminal (8). The signal from the potentiometer is wired between COM, AI1 and +10 at terminal (9).



Parameter choice

For parameter choice, see below.



*For complete information, see the product manual attached.

**This terminal doesn't have the connection "T/L3" when it's a 1-phase feed.

Programming

Program all parameters as list below. Start from the top and go down through all parameters chronologically. During the programming, the fan mustn't receive start signal. This means that LI1 and +24 (8) can't be closed.

NB! The green parameters could be changed, to optimise current system. The red parameters can be found on the motor.

Menu	Submenu	Parameter	Function	Rek. value	Chosen val.
<i>drC-</i>		<i>bFr</i>	Motor frequency (Hz)	?	
<i>drC-</i>		<i>UnS</i>	Nominal motor voltage (V)	?	
<i>drC-</i>		<i>FrS</i>	Nominal motor frequency (Hz)	?	
<i>drC-</i>		<i>nCr</i>	Nominal motor current (A)	?	
<i>drC-</i>		<i>nSP</i>	Nominal motor speed (rpm)	?	
<i>drC-</i>		<i>CO5</i>	Motor Cos Phi	?	
<i>drC-</i>		<i>SFr</i>	Switch frequency (kHz)*	2 - 16	
<i>drC-</i>		<i>UFt</i>	Voltage-/ frequency type	P	
<i>l_0-</i>		<i>tCt</i>	Restart in actual on/ off position	LEL	
<i>FUn-</i>	<i>StC-</i>	<i>Stt</i>	Stop type	nSt	
<i>SEt-</i>		<i>ACC</i>	Acceleration (s)	5	
<i>SEt-</i>		<i>dEC</i>	Retardation (s)	5	
<i>SEt-</i>		<i>LSP</i>	Min. frequency (Hz)	15	
<i>SEt-</i>		<i>HSP</i>	Max. frequency (Hz)	50	
<i>SEt-</i>		<i>l tH</i>	Thermal motor protection (A) =motor current	?	

*Only to be changed where there are disturbing noise from the engine.

Troubleshooting

If the system doesn't work, please check:

- that LI1 and +24 are not wired during the programming.
- that the parameters are programmed chronologically.
- that the wiring is made according to attached wiring diagram.
- that the rotation of the fan wheel is correct.

Default reset

When resetting to the factory settings, please proceed as below:

If the display doesn't show *rdy*, push **ESC** until it does. Enter the menu *drC-* and choose *FL5*. Change the value from *n0* to *lnl*, then press and hold **ENT** until the display shows *n0*. Unplug the feeding voltage and wait until the display has switched off, then replug. The frequency converter will now have the initial factory settings and is ready for programming again.